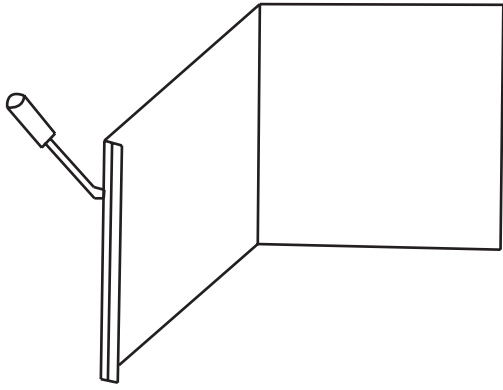
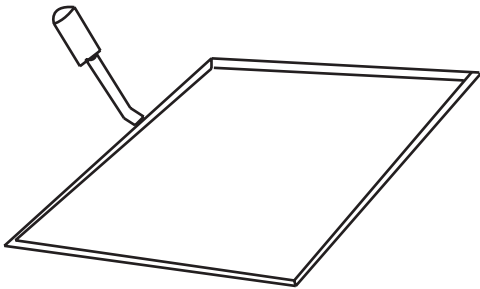
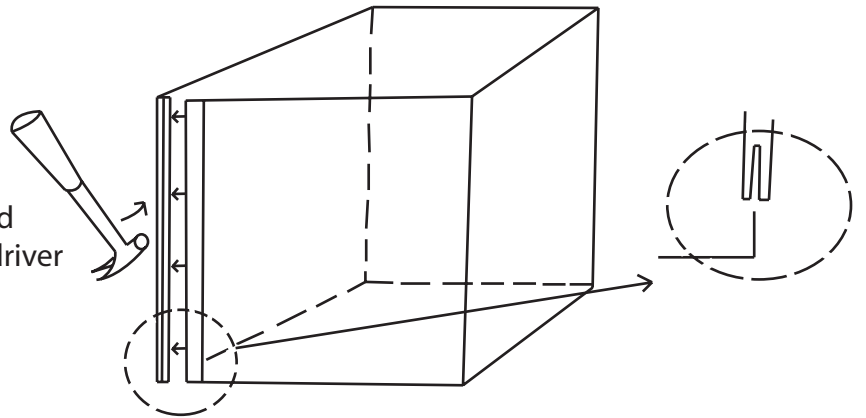


Bang Together Plenum



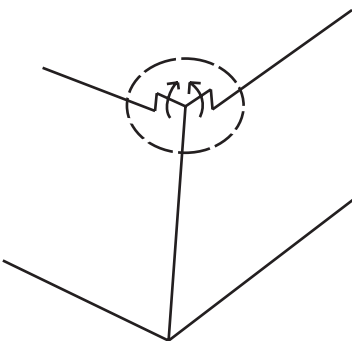
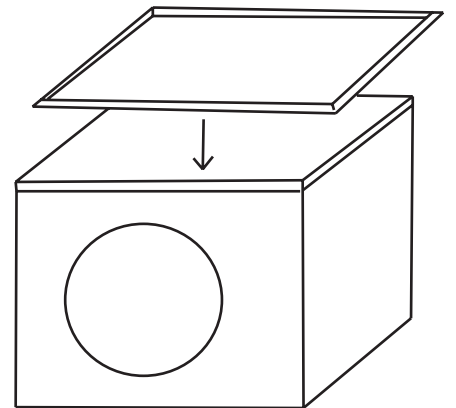
1. Take a flathead screwdriver and slightly open up the metal down the pinched side.

2. Fit the flat side of the metal into the pinched side. Starting from the top take a hammer and bang the two pieces together, using a screwdriver to line up the pieces as necessary.



3. Go around the lid with the flathead screwdriver, slightly opening up all the pinched portions.

4. Fit lid into one corner and slowly make your way around the entire box, ensuring the lip goes into the fold.



5. After the lid is securely on, hammer each corner inwards creating a bend over the lid, holding it in place.