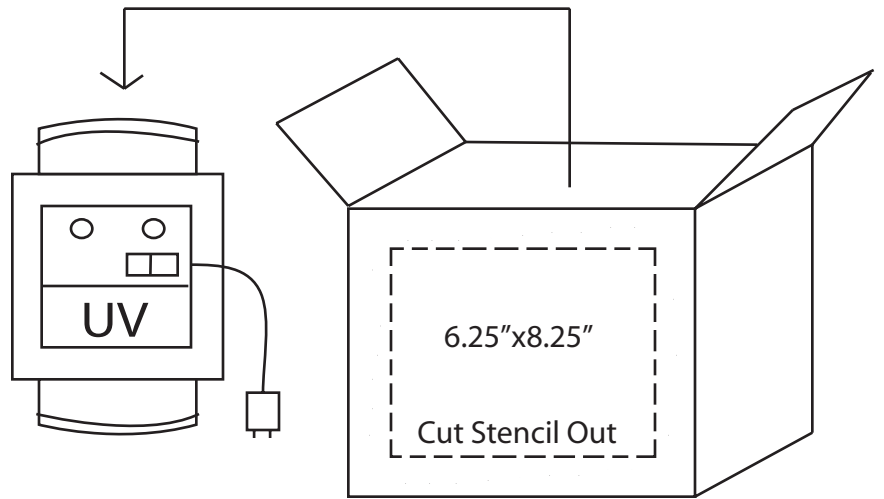
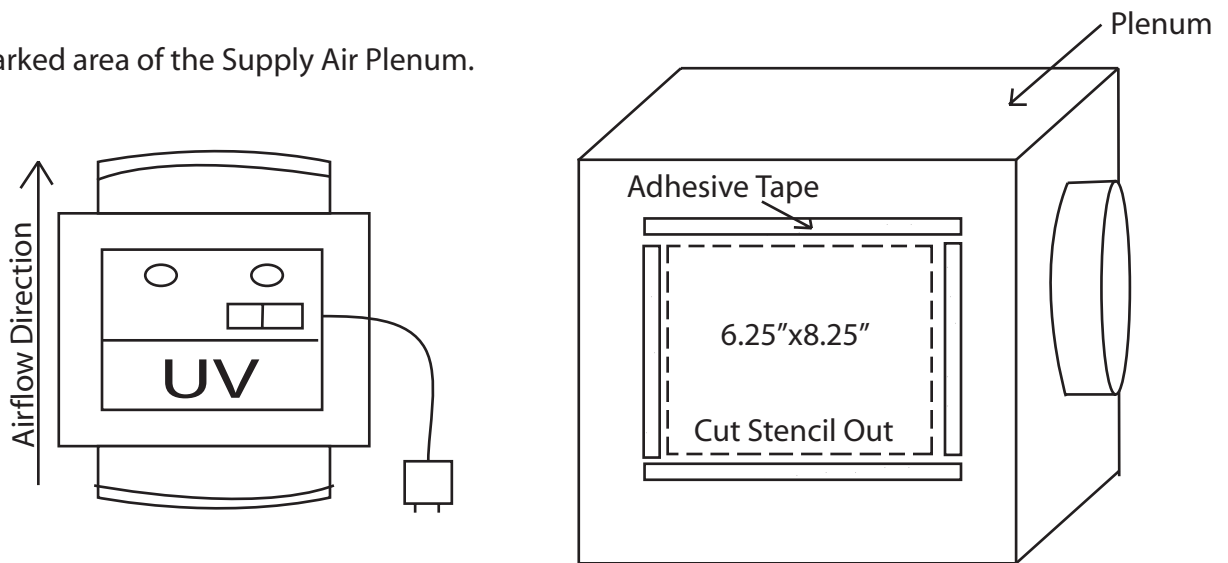


UV Air Purifier Installation



1. Remove the UV Air Purifier from the box.
2. Using a box cutter, cut out the template on the side of the box. (6.25"x8.25")
3. Trace template on the side of your Supply Air Plenum.
4. Cut out the marked area of the Supply Air Plenum.



5. Apply the included adhesive tape around the outer edges of the cut out.
6. Insert UV Air Purifier into the hole so that the bulb is inside the plenum, with the air flow arrow pointing UP.
7. Plug into 120 Volt source. Turn On.

